

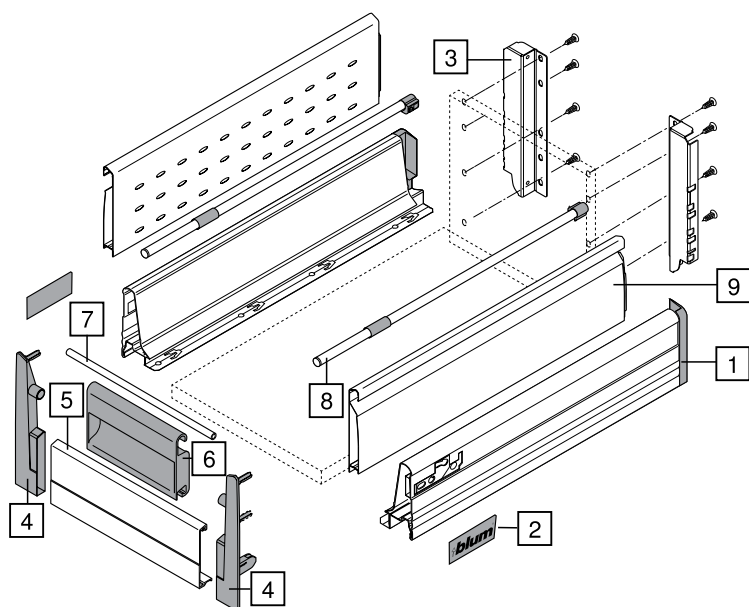
TANDEMBOX plus

i6

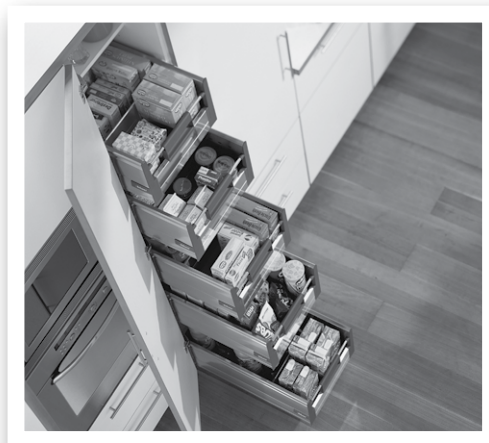
内高抽屉 - BOXSIDE 加高侧板

INSTALLATION
SHEET

 **blum**[®]



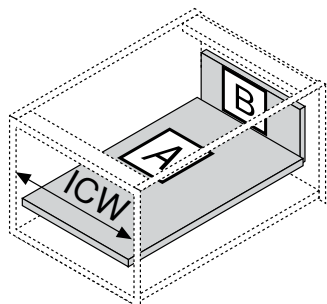
Item	Qty	Unit	Description
1	1	pair	Drawer sides left/right 抽帮左/右
2	2	pcs	Cover caps with Blum logo / 装饰盖 左/右
3	1	pair	Back fixing left/right 背板固定件 左/右
4	1	pair	Front fixings left/right 前接码 左/右
5	1	pc	Inner front panel/ 前板
6	1	pc	Inner drawer handle 拉手
7	1	pc	Cross gallery rod 横杆
8	2	pcs	Adj. longside galleries 扶杆
9	1	pair	BOXSIDE double walled left/right/ BOX-SIDE 加高侧板左/右



Planning / 设计

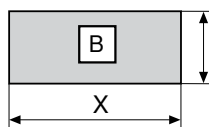


Cutting dimensions/ 切板的尺寸



ICW = Inner Carcase width/
箱体净宽

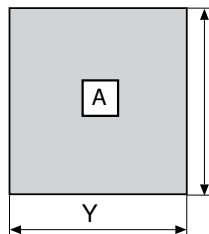
Back/ 后背板



199 mm

X = Inner carcase width (minus) 87 mm
厨内的尺寸扣 87 mm

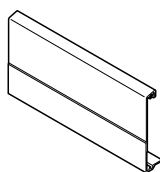
Base/ 底板



Length of runners (minus) 23 mm/
铁路的深度 (减) 23mm

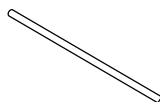
Y = Inner carcase width (minus) 75 mm
厨内的尺寸扣 75 mm

Cutting Inner Front Panel



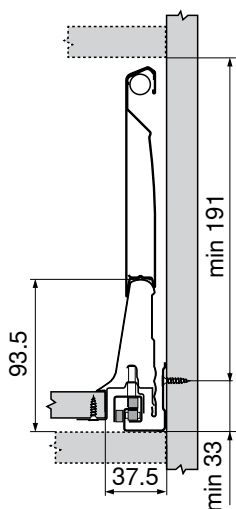
Inner carcase width (minus) 87 mm
厨内的尺寸扣 87 mm

Cutting Cross Gallery/ 裁切横杆

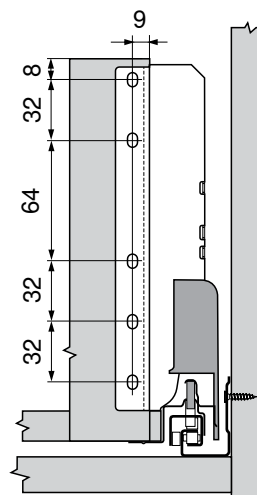


Inner carcase width (minus) 68mm
厨内的尺寸扣68 mm

Space requirements in carcase/ 箱体内的空间需求

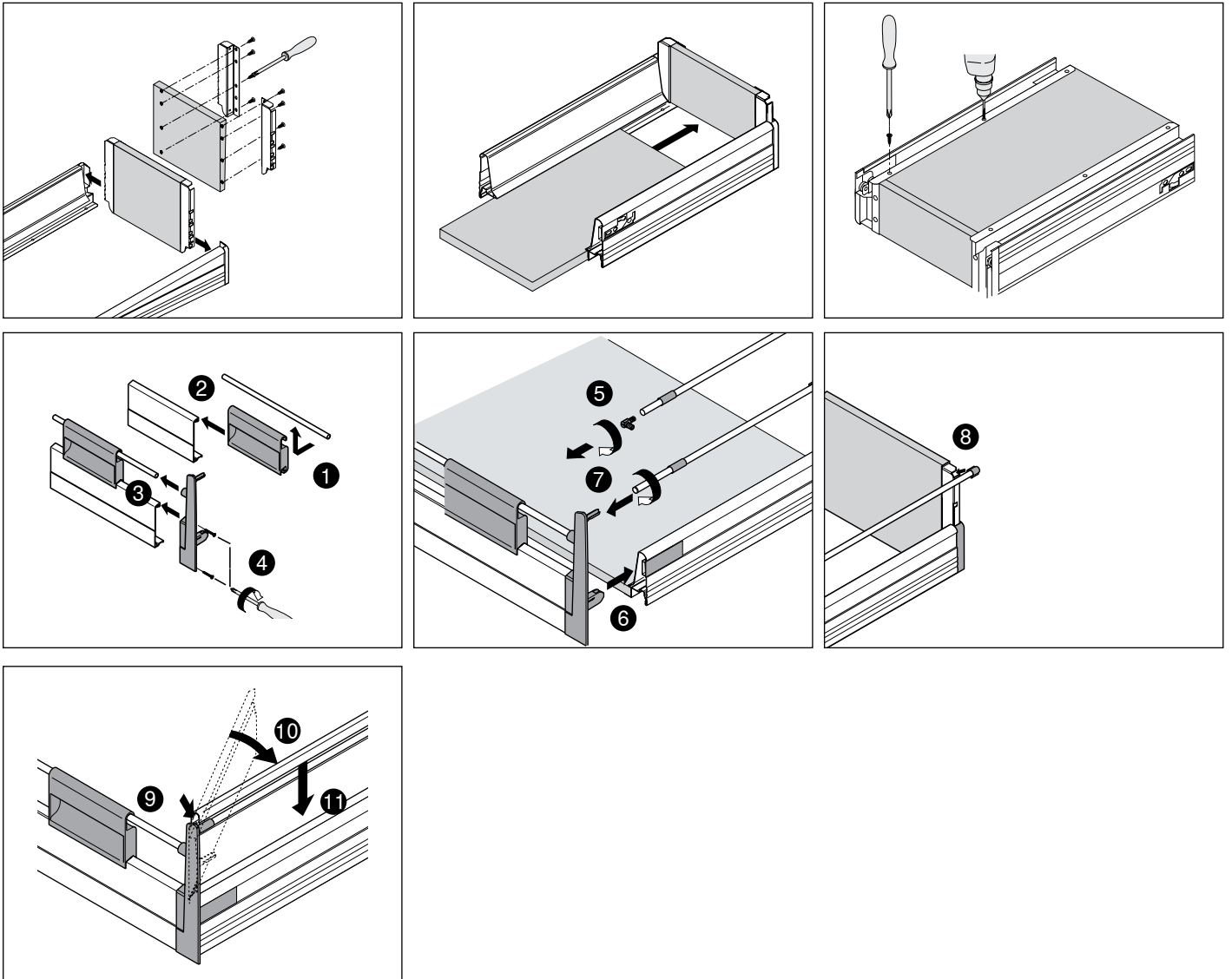


Back installation dimensions/ 背板安装尺寸

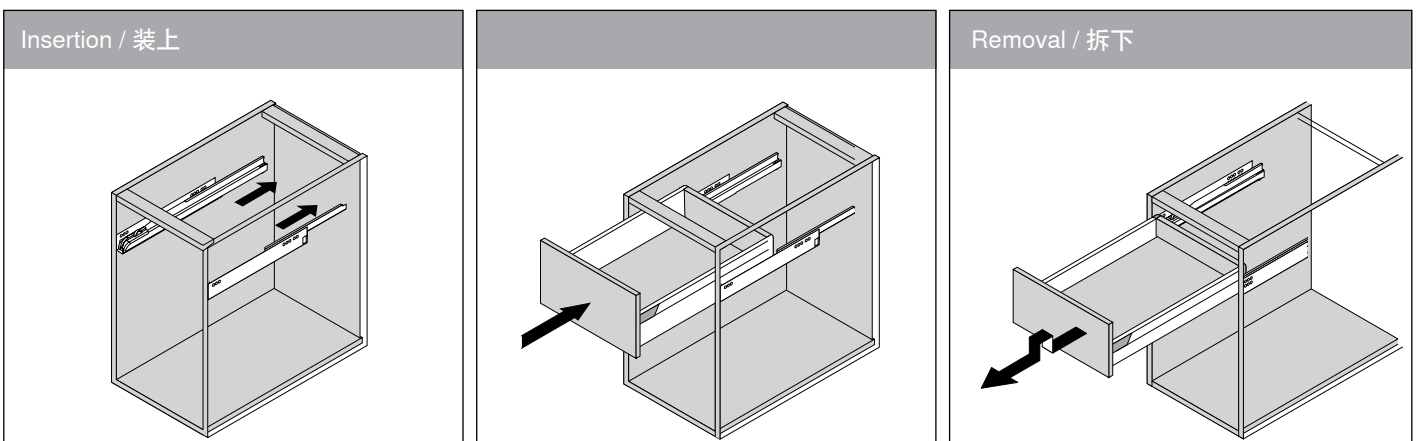


Assembly / 安装指示

Drawer / 抽屉



Drawer insertion and removal / 抽屉装上和拆下



Julius Blum GmbH
Furniture Fittings Mfg.
6973 Hoechst, Austria
Tel.: +43 5578 705-0
Fax: +43 5578 705-44
E-Mail: info@blum.com
www.blum.com