

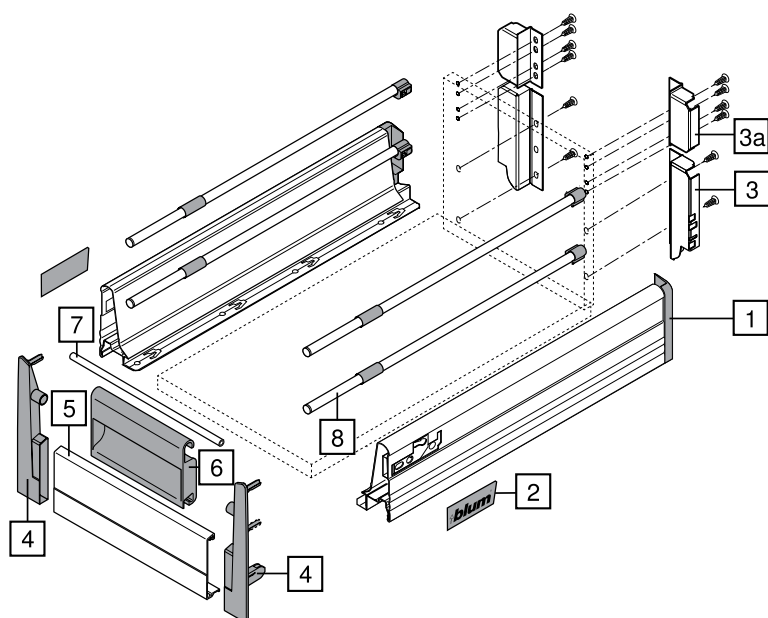
# TANDEMBOX plus

# i5

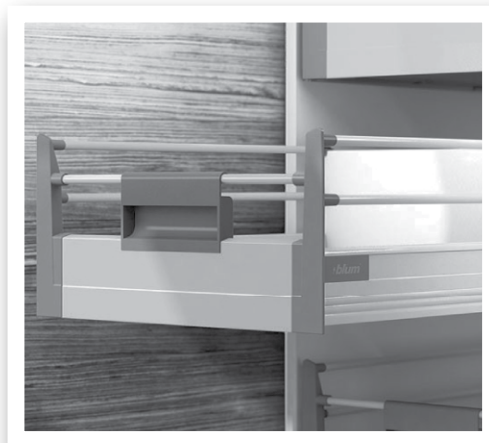
## 内高抽屉-双层扶杆

INSTALLATION  
SHEET

 **blum**



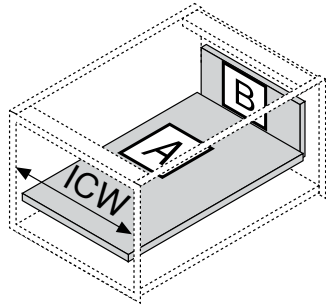
Item	Qty	Unit	Description
1	1	pair	Drawer sides left/right 抽帮左/右
2	2	pcs	Cover caps with Blum logo / 装饰盖 左/右
3	1	pair	Back fixing left/right 背板固定件 左/右
3a	1	pair	Back fixing left/right 背板固定件 左/右
4	1	pair	Front fixings left/right 前接码 左/右
5	1	pc	Inner front panel/ 前板
6	1	pc	Inner drawer handle 拉手
7	1	pc	Cross gallery rod 横杆
8	4	pcs	Adj. longside galleries 扶杆



# Planning / 设计

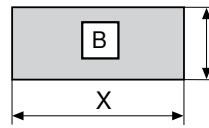


## Cutting dimensions/ 切板的尺寸



ICW = Inner Carcase width/  
箱体净宽

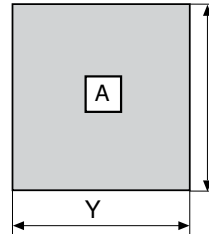
### Back/ 后背板



203 mm

X = Inner carcass width (minus) 87 mm  
厨内的尺寸扣 87 mm

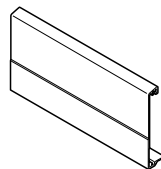
### Base/ 底板



Length of runners (minus) 23 mm/  
铁路的深度 (减) 23mm

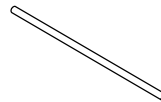
Y = Inner carcass width (minus) 75 mm  
厨内的尺寸扣 75 mm

### Cutting Inner Front Panel/ 裁切内抽前板



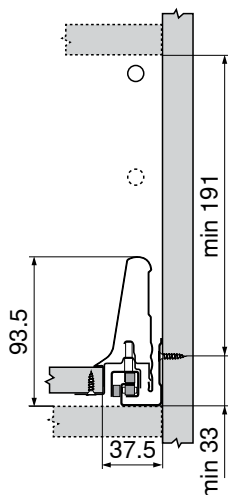
Inner carcass width (minus) 87 mm  
厨内的尺寸扣 87 mm

### Cutting Cross Gallery/ 裁切横杆

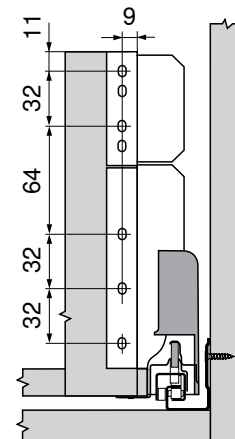


Inner carcass width (minus) 68 mm  
厨内的尺寸扣 68 mm

## Space requirements in carcass/ 箱体内的空间需求

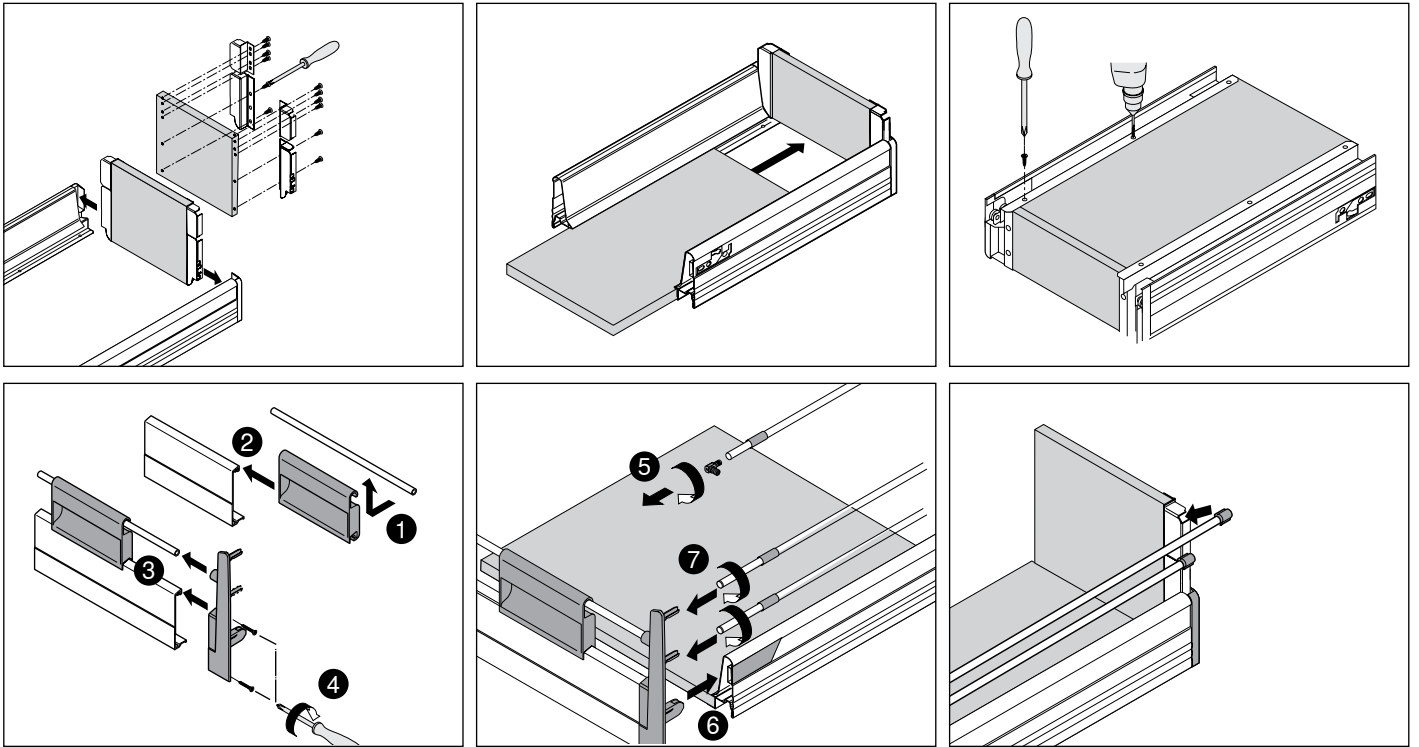


## Back installation dimensions/ 背板安装尺寸

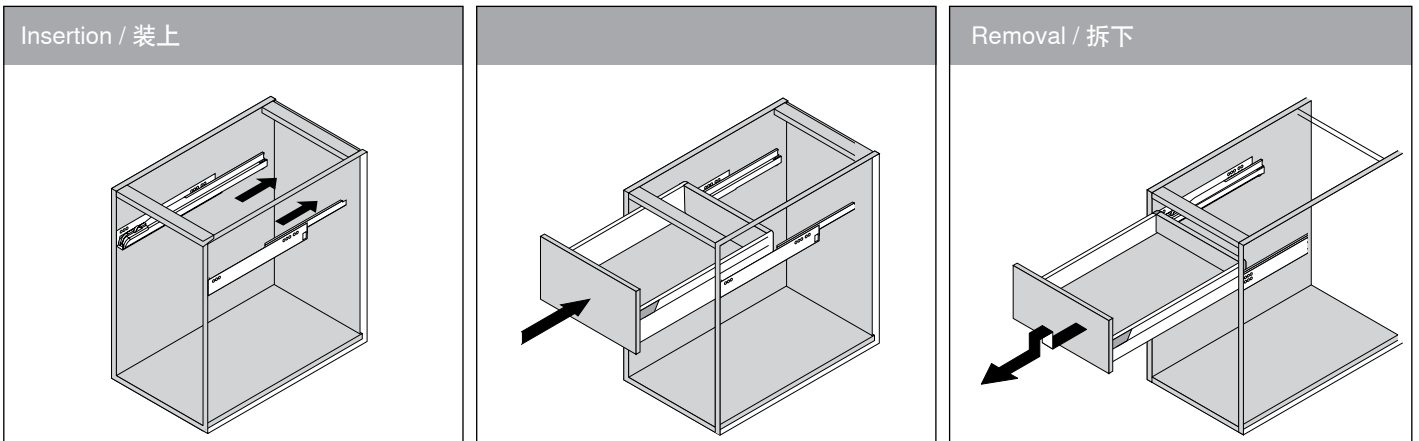


# Assembly / 安装指示

## Drawer / 抽屉



## Drawer insertion and removal / 抽屉装上和拆下



Julius Blum GmbH  
Furniture Fittings Mfg.  
6973 Hoechst, Austria  
Tel.: +43 5578 705-0  
Fax: +43 5578 705-44  
E-Mail: [info@blum.com](mailto:info@blum.com)  
[www.blum.com](http://www.blum.com)