

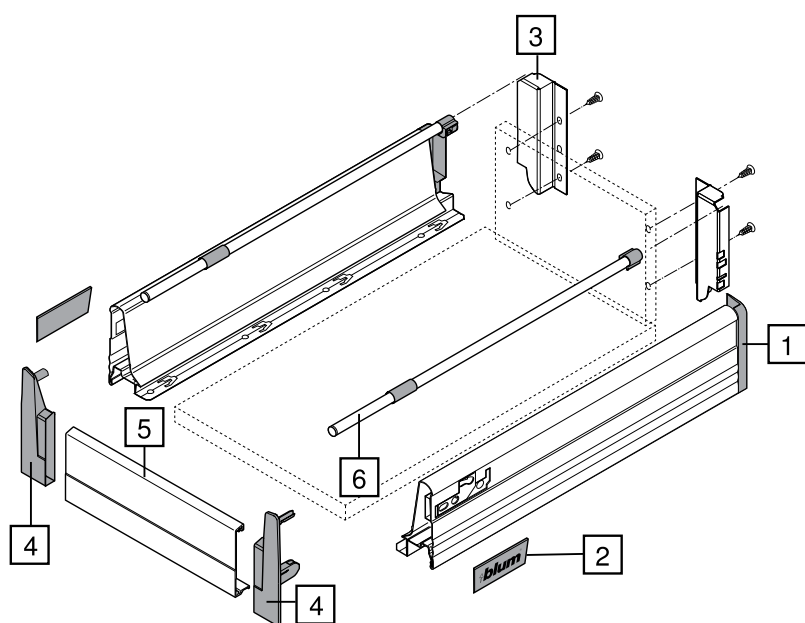
TANDEMBOX plus

i4

INSTALLATION
SHEET

 **blum**[®]

内高抽屉-单层扶杆



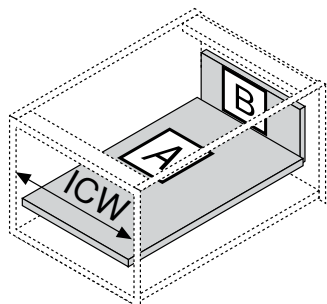
| Item | Qty | Unit | Description |
|------|-----|------|-------------------------------------|
| 1 | 1 | pair | Drawer sides left/right 抽帮左/右 |
| 2 | 2 | pcs | Cover caps with Blum logo / 装饰盖 左/右 |
| 3 | 1 | pair | Back fixing left/right 背板固定件 左/右 |
| 4 | 1 | pair | Front fixings left/right 前接码 左/右 |
| 5 | 1 | pc | Inner front panel 前板 |
| 6 | 2 | pcs | Adj. longside galleries 扶杆 |



Planning / 设计

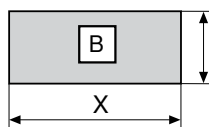


Cutting dimensions/ 切板的尺寸



ICW = Inner Carcase width/
箱体净宽

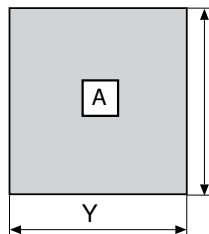
Back/ 后背板



135 mm

X = Inner carcass width (minus) 87 mm
厨内的尺寸扣 87 mm

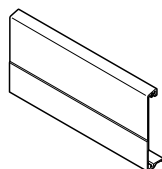
Base/ 底板



Length of runners (minus) 23 mm/
铁路的深度 (减) 23mm

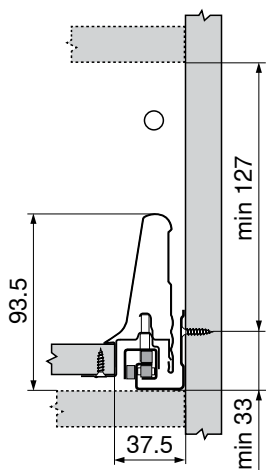
Y = Inner carcass width (minus) 75 mm
厨内的尺寸扣 75 mm

Cutting Inner Front Panel/ 裁切内抽前板

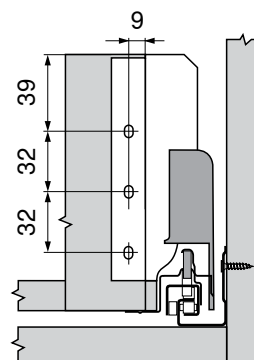


Inner carcass width (minus) 87 mm
厨内的尺寸扣 87 mm

Space requirements in carcass/ 箱体内的空间需求

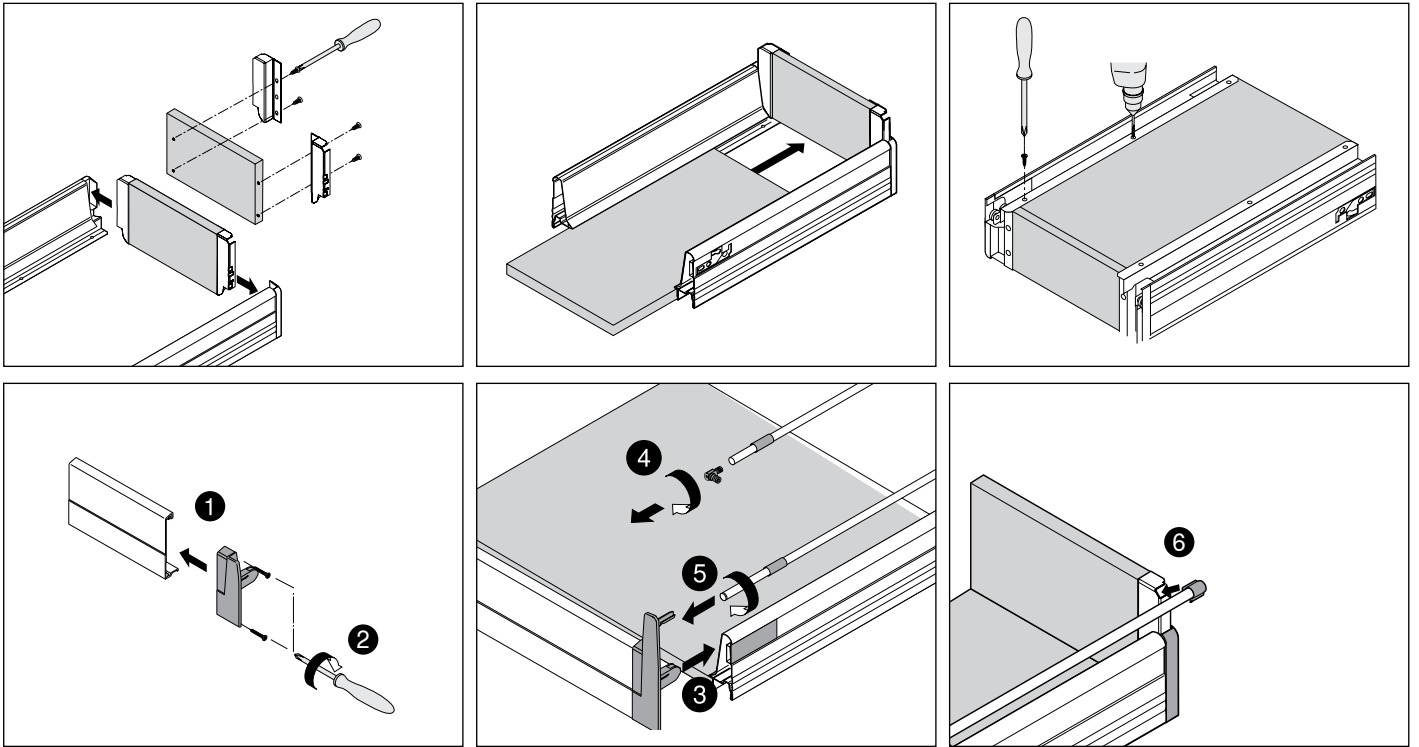


Back installation dimensions/ 背板安装尺寸

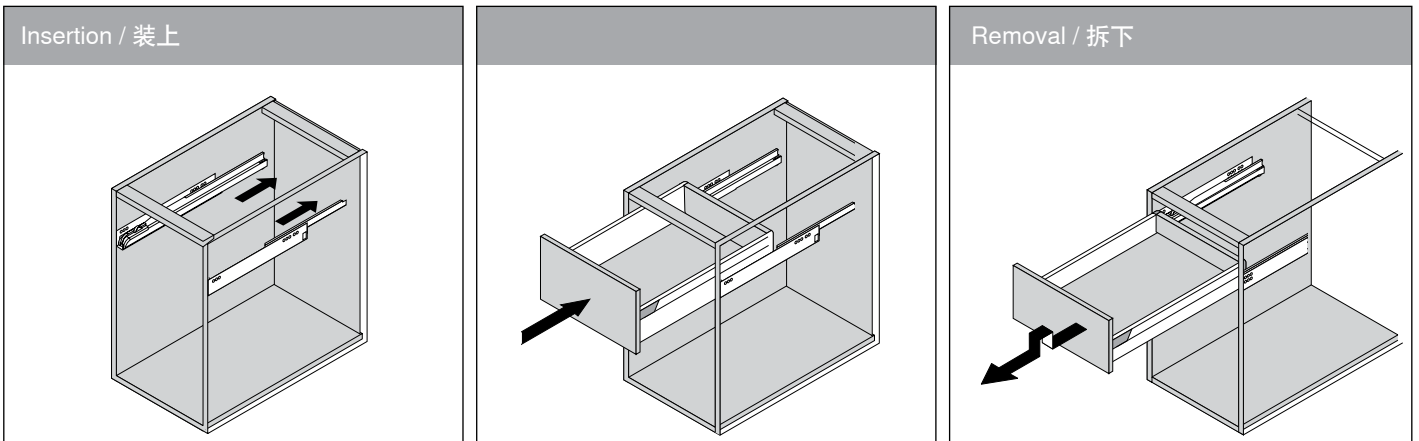


Assembly / 安装指示

Drawer / 抽屉



Drawer insertion and removal / 抽屉装上和拆下



Julius Blum GmbH
Furniture Fittings Mfg.
6973 Hoechst, Austria
Tel.: +43 5578 705-0
Fax: +43 5578 705-44
E-Mail: info@blum.com
www.blum.com