

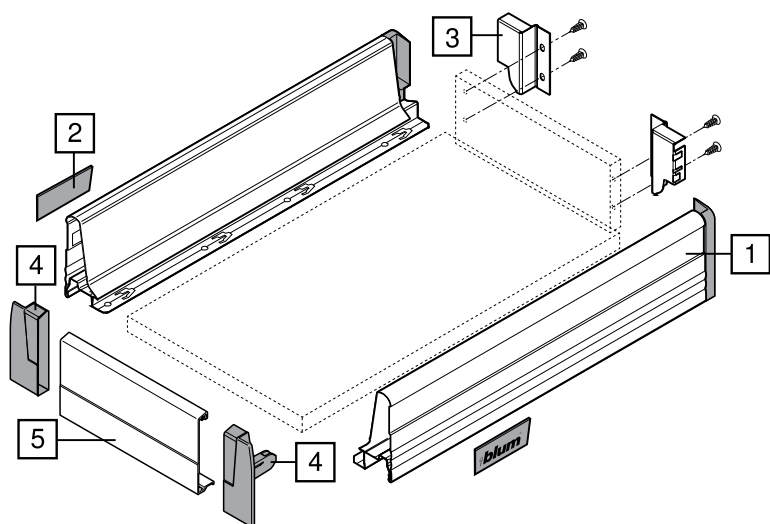
TANDEMBOX plus

i3

内低抽屉

INSTALLATION
SHEET

 **blum**



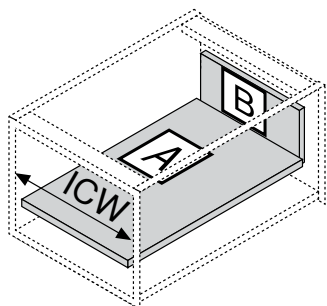
Item	Qty	Unit	Description
1	1	pair	Drawer sides left/right 抽帮左/右
2	2	pcs	Cover caps with Blum logo / 装饰盖 左/右
3	1	pair	Back fixing left/right 背板固定件 左/右
4	1	pair	Front fixings left/right 前接码 左/右
5	2	pcs	Inner front panel 前板



Planning / 设计

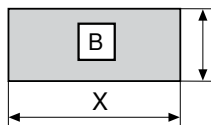


Cutting dimensions / 切板的尺寸



ICW = Inner Carcase width/
箱体净宽

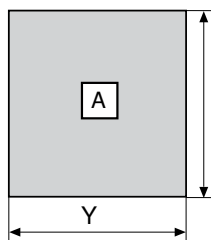
Back/ 后背板



84 mm

X = Inner carcase width (minus) 87 mm
厨内的尺寸扣 87 mm

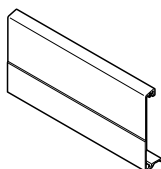
Base/ 底板



Length of runners (minus) 23 mm/
铁路的深度 (减) 23mm

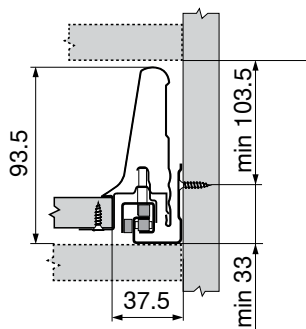
Y = Inner carcase width (minus) 75 mm
厨内的尺寸扣 75 mm

Cutting Inner Front Panel/ 裁切内抽前板

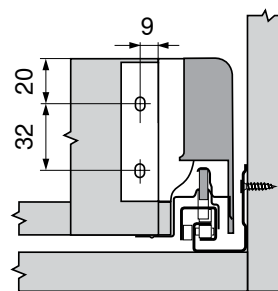


Inner carcase width (minus) 87 mm
厨内的尺寸扣 87 mm

Space requirements in carcass/ 箱体内的空间需求

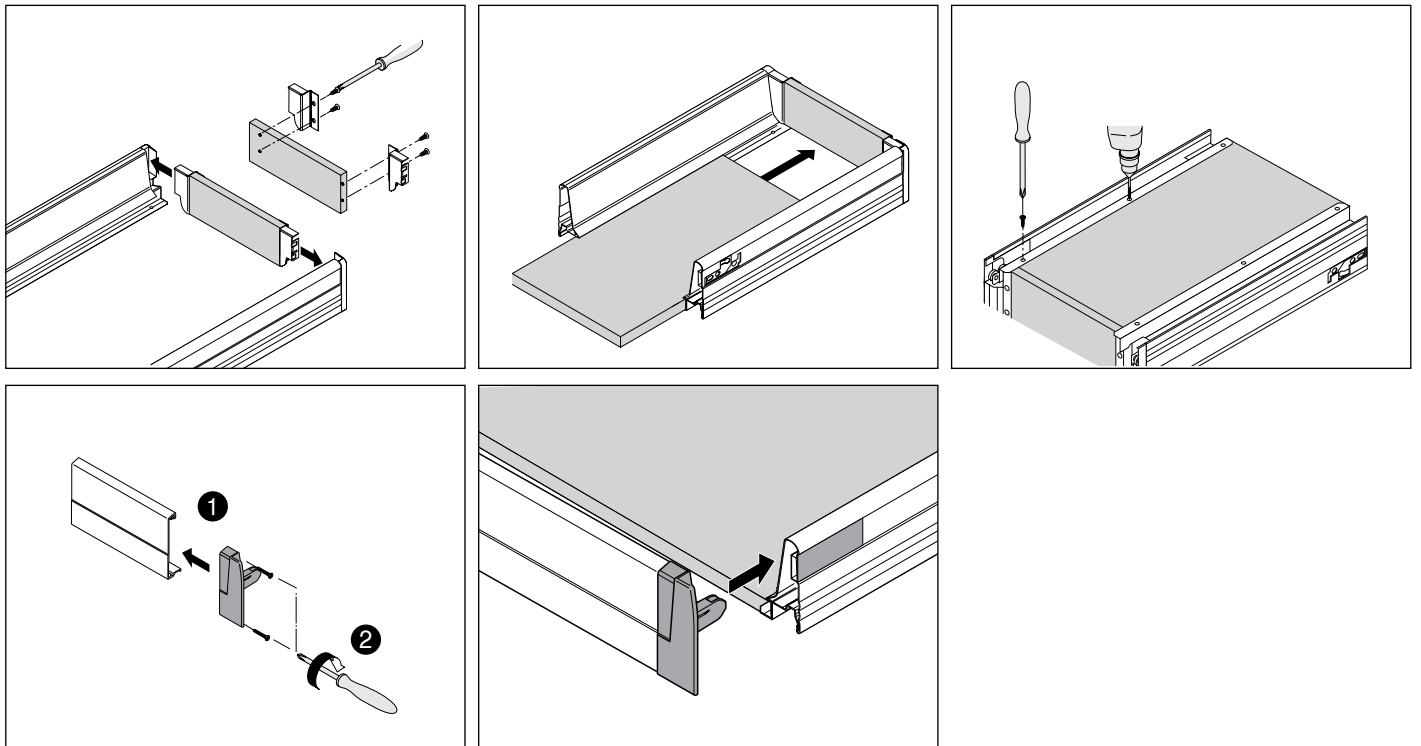


Back installation dimensions/ 背板安装尺寸

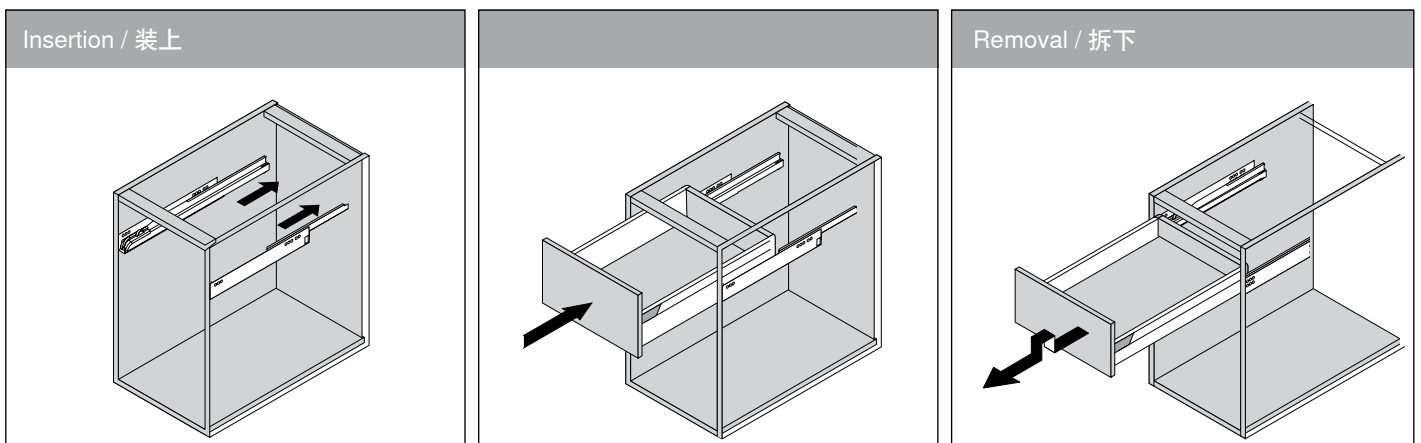


Assembly / 安装指示

Drawer / 抽屉



Drawer insertion and removal / 抽屉装上和拆下



Julius Blum GmbH
Furniture Fittings Mfg.
6973 Hoechst, Austria
Tel.: +43 5578 705-0
Fax: +43 5578 705-44
E-Mail: info@blum.com
www.blum.com