

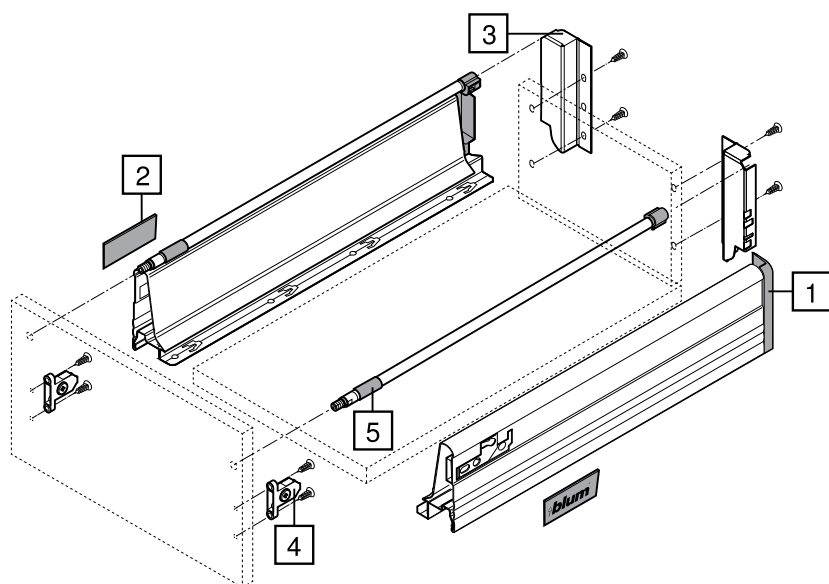
TANDEMBOX plus

S2

高抽屜配扶杆

INSTALLATION
SHEET

 **blum**



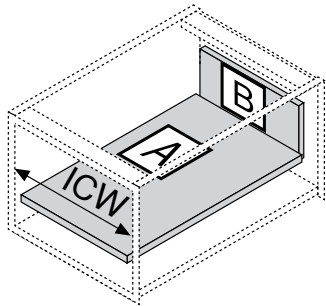
Item	Qty	Unit	Description
1	1	pair	Drawer sides left/right 抽屜左/右
2	2	pcs	Cover caps with Blum logo / 装饰盖 左/右
3	1	pair	Back fixing left/right 背板固定件 左/右
4	2	pcs	Front fixings, screw- on / 前接码
5	2	pcs	Adj. longside galleries 扶杆



Planning / 设计

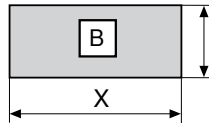


Cutting dimensions/ 切板的尺寸



ICW = Inner Carcase width/
箱体净宽

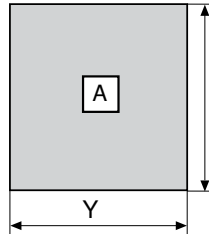
Back/ 后背板



135 mm

X = Inner carcase width (minus) 87 mm
厨内的尺寸扣 87 mm

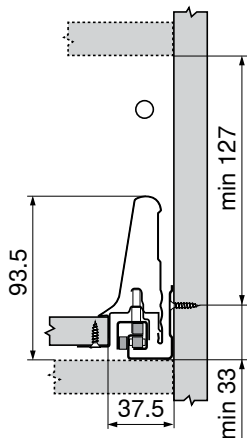
Base/ 底板



Length of runners (minus) 23 mm/
铁路的深度 (减) 23mm

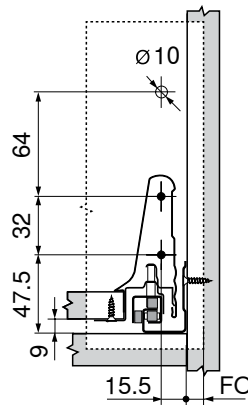
Y = Inner carcase width (minus) 75 mm
厨内的尺寸扣 75 mm

Space requirements in carcase/ 箱体内的空间需求

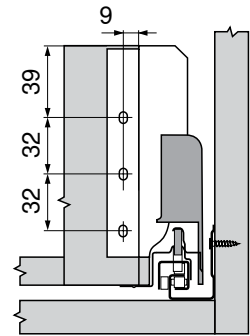


Installation dimensions for screw- on front / 面板安装尺寸

FO - Front overlay/ 面板重叠部分

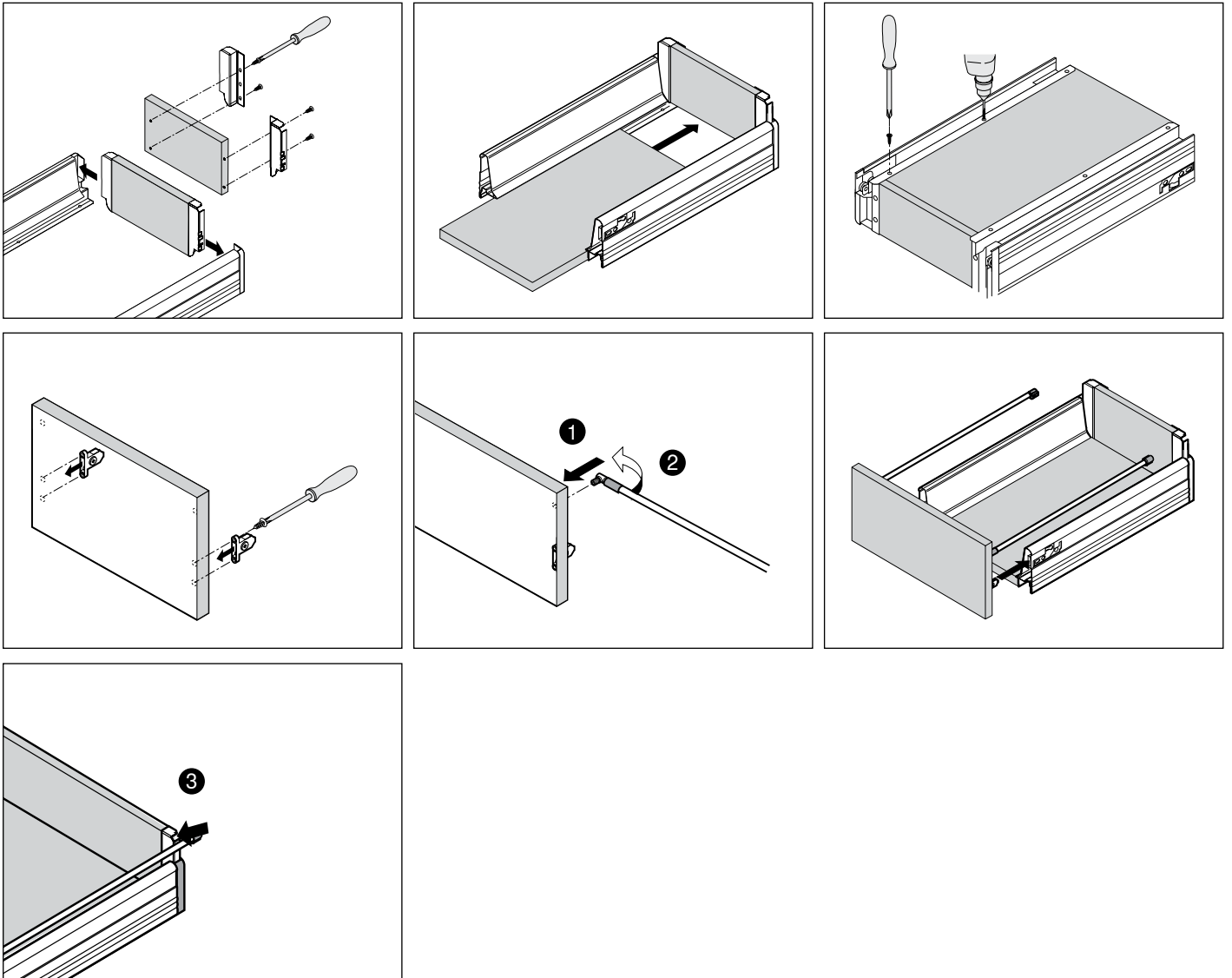


Back installation dimensions/ 背板安装尺寸

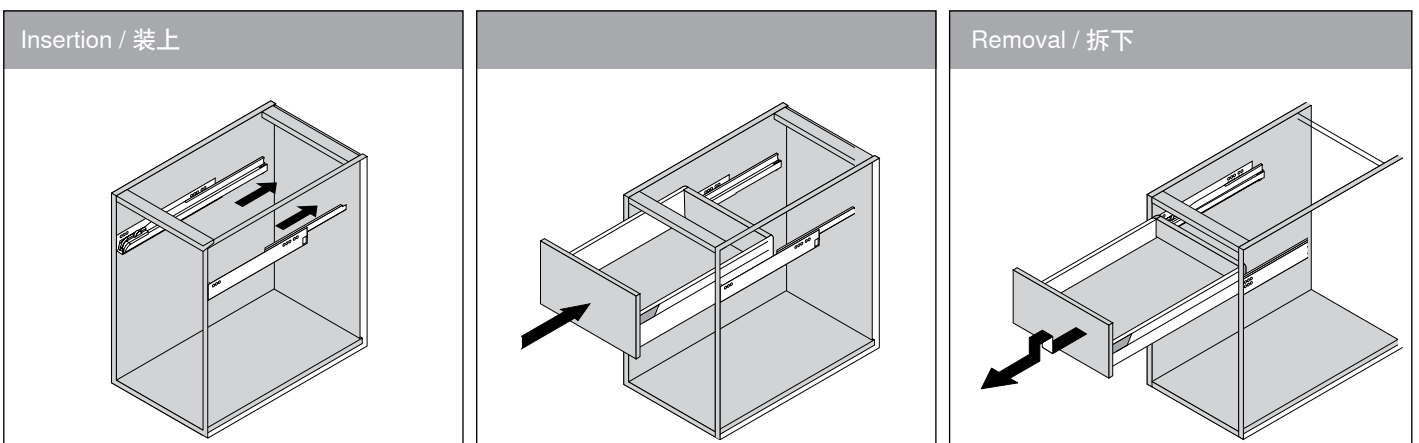


Assembly / 安装指示

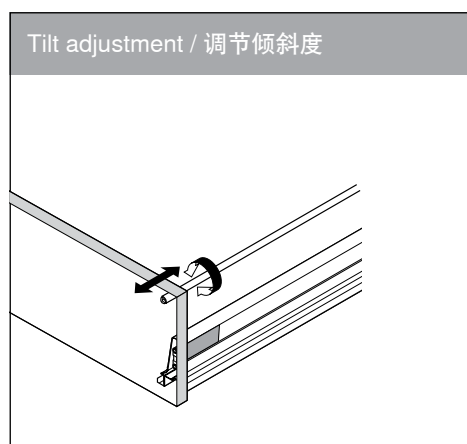
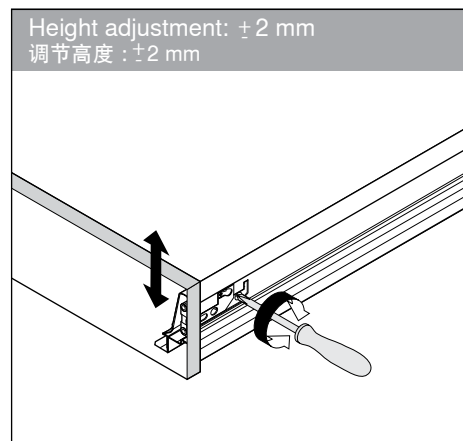
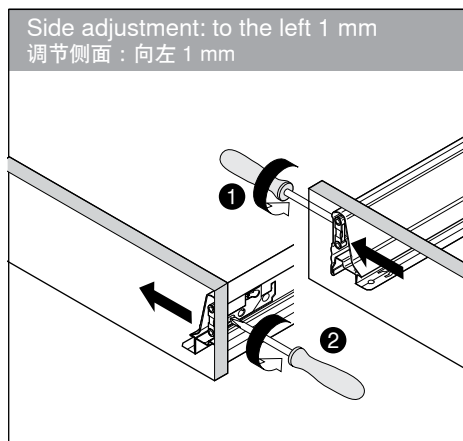
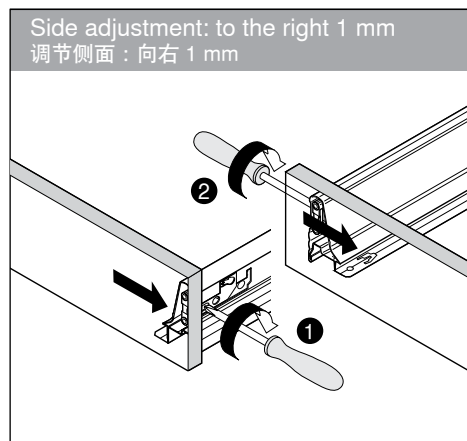
Drawer / 抽屉



Drawer insertion and removal / 抽屉装上和拆下



Adjustment / 调节



Julius Blum GmbH
Furniture Fittings Mfg.
6973 Hoechst, Austria
Tel.: +43 5578 705-0
Fax: +43 5578 705-44
E-Mail: info@blum.com
www.blum.com