

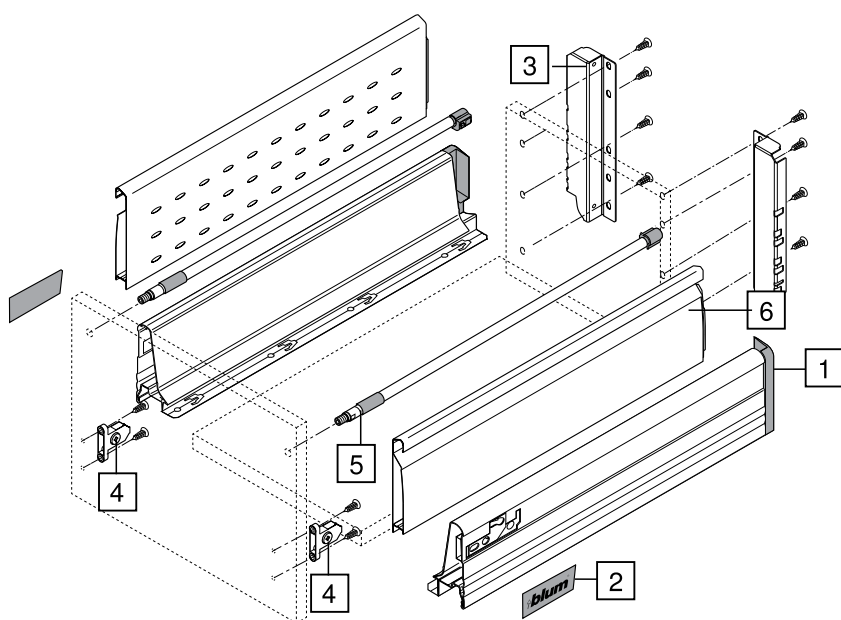
TANDEMBOX plus

S4

INSTALLATION
SHEET

 **blum**[®]

高抽屜配加高側板BOXSIDE



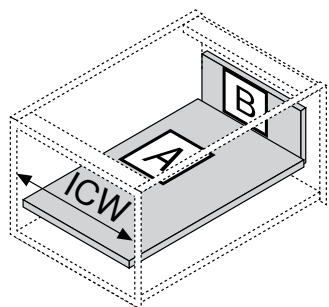
Item	Qty	Unit	Description
1	1	pair	Drawer sides left/right 抽屜左/右
2	2	pcs	Cover caps with Blum logo / 裝飾蓋 左/右
3	1	pair	Back fixing left/right 背板固定件 左/右
4	2	pcs	Front fixings, screw-on / 前接碼
5	2	pcs	Adj. long side galleries 扶杆
6	1	pair	BOXSIDE double walled / 加高側板



Planning / 设计

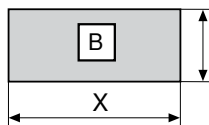


Cutting dimensions for 15 mm chipboard/ 15mm 密度板的裁切尺寸



ICW = Inner Carcase width/
箱体净宽

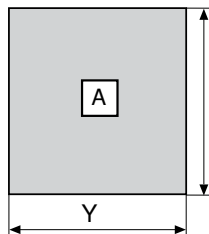
Back/ 后背板



199 mm

X = Inner carcass width (minus) 87 mm
厨内的尺寸扣 87 mm

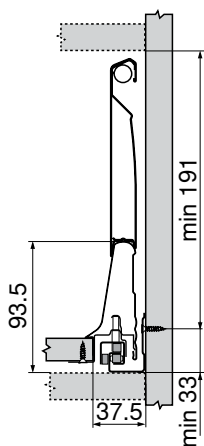
Base/ 底板



Length of runners (minus) 23 mm/
铁路的深度 (减) 23mm

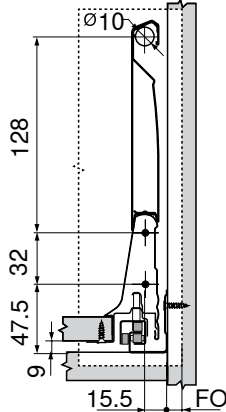
Y = Inner carcass width (minus) 75 mm
厨内的尺寸扣 75 mm

Space requirements in carcass/ 箱体内的空间需求

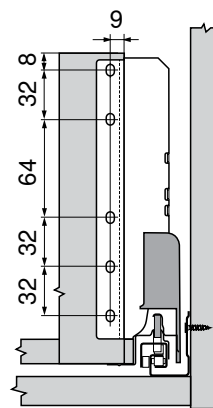


Installation dimensions for screw- on front / 面板安装尺寸

FO - Front overlay/ 面板重叠部分

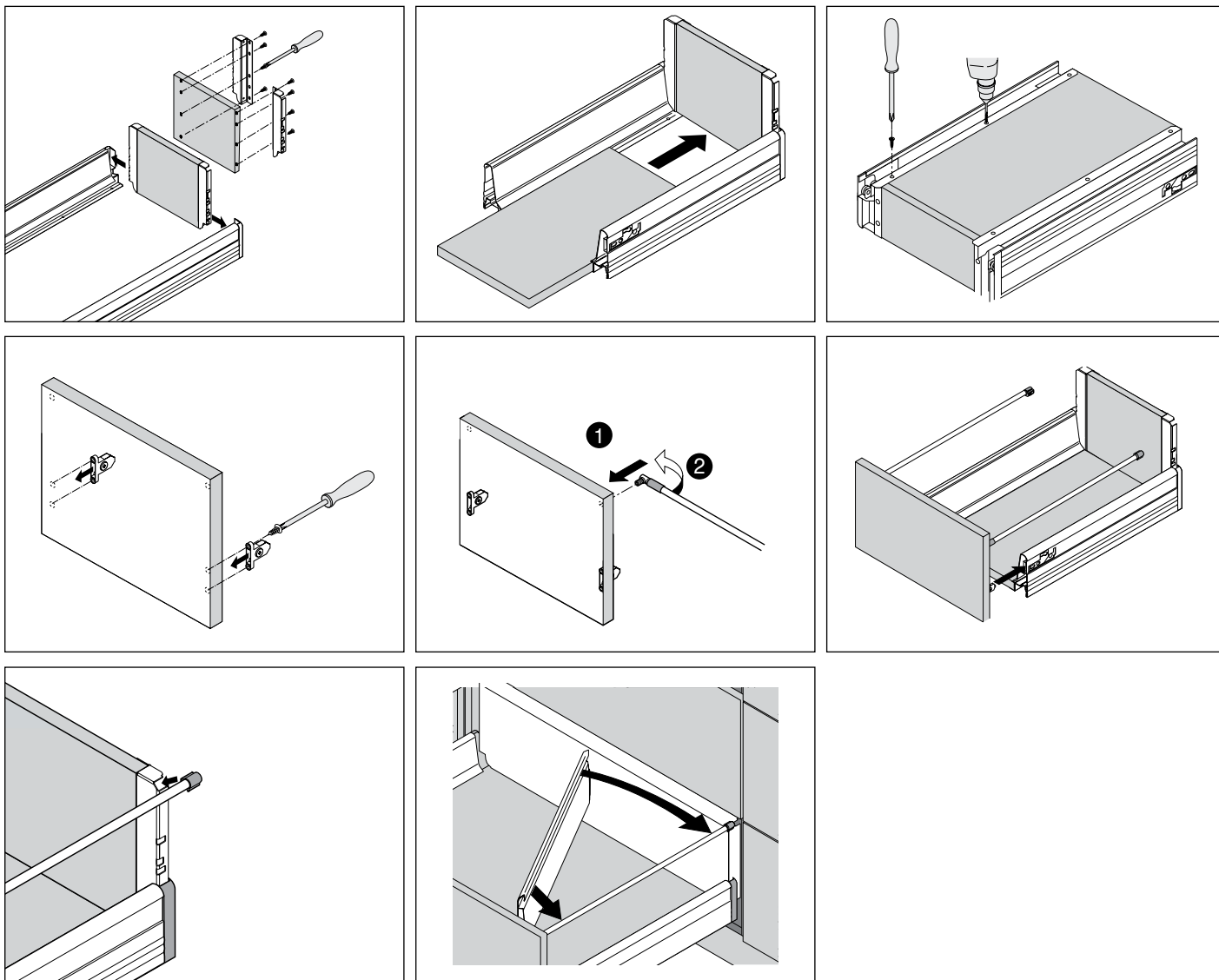


Back installation dimensions/ 背板安装尺寸

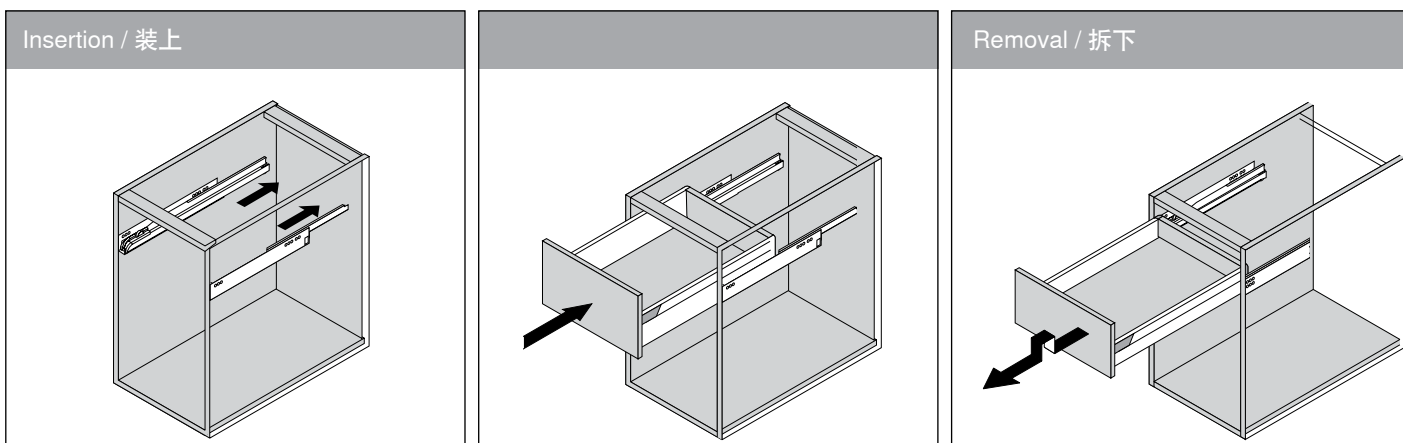


Assembly / 安装指示

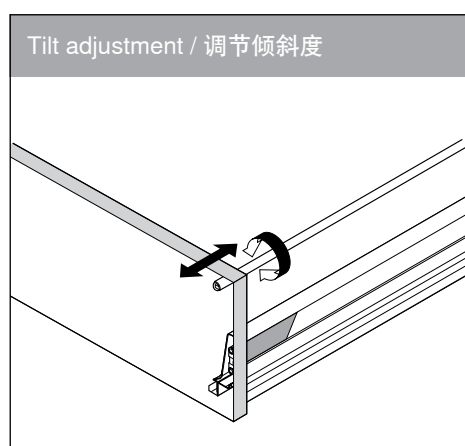
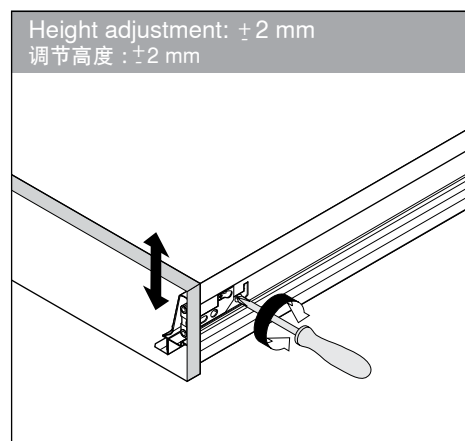
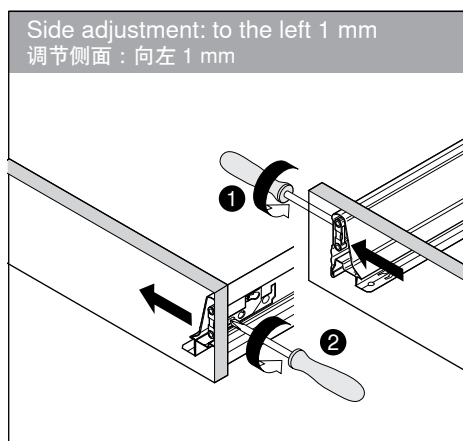
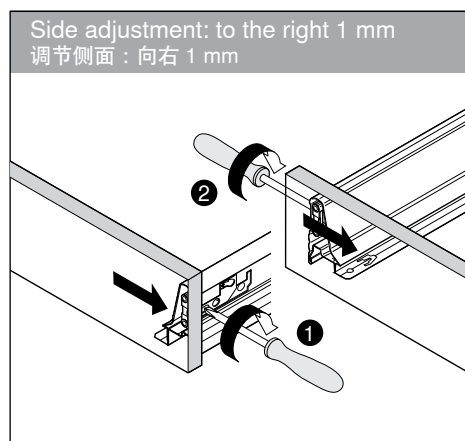
Drawer / 抽屉



Drawer insertion and removal / 抽屉装上和拆下



Adjustment / 调节



Julius Blum GmbH
Furniture Fittings Mfg.
6973 Hoechst, Austria
Tel.: +43 5578 705-0
Fax: +43 5578 705-44
E-Mail: info@blum.com
www.blum.com