

TANDEM runner

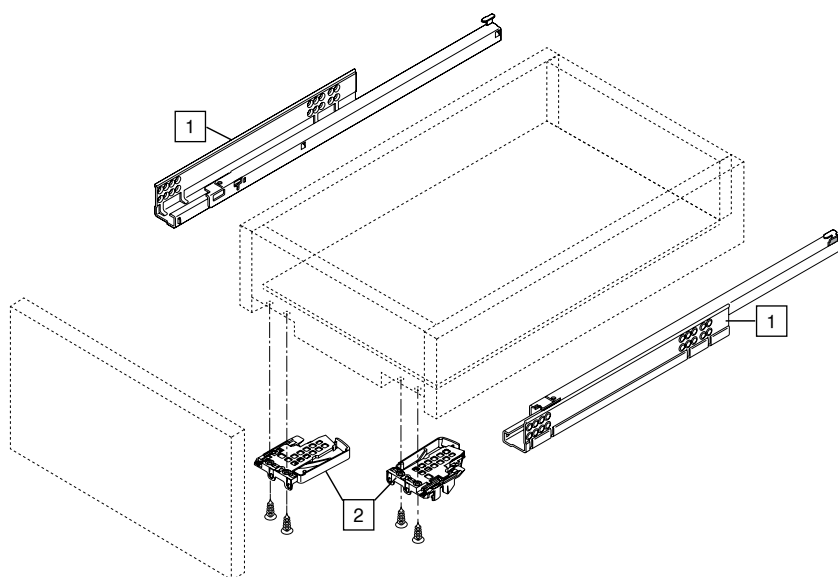
Single extension (550H)

30 kg

导轨系列 半拉式

INSTALLATION
SHEET

 **blum**[®]



Item	Qty	Unit	Description
1	1	pair	TANDEM runner plus BLUMOTION (Single extension) Tandem 导轨系列 内置 BLUMOTION (半拉式)
2	1	set	Locking device (Left & Right) 接码 左右



Planning/设计

<p>Drawer/inner drawer 抽屉/内抽屉</p> <p>A = X - 42 mm</p> <p>A = Internal drawer width/抽屉内净宽 X = Internal carcass width/箱体净宽</p>	<p>Space requirements in carcass 箱体内的空间需求</p>	<p>Drawer 抽屉</p> <p>DL - Drawer Length RL - Runner Length</p>	<p>Drawer assembly 抽屉装置</p>
---	--	--	------------------------------------

Assembly/安装指示

Locking device/接码

<p>Four-sided drawer 四面抽屉</p>	<p>Three-sided drawer/三面抽屉</p>	<p>Inner drawer/内低抽屉</p>

Drawer insertion and removal/抽屉挂上和卸下

<p>Insertion/挂上</p>		<p>Removal/卸下</p>	

Adjustment/调节

Height adjustment/调节高度: + 3 mm