

CLIP top 155° for mitred application

PRODUCT
MEMO

 **blum**



The new CLIP top 155°

Our CLIP mechanism has proven itself a million times over worldwide. Now we have re-engineered the CLIP top 155° to include a new closing mechanism, in combination with a new clip-on BLUMOTION 973A7000. The result: A 155° hinge that provides complete functionality & satisfaction.



Assembly made easy

- Tool-free door to cabinet assembly and removal thanks to CLIP technology
- Easy 3-dimensional adjustment
- Tool-free INSERTA technology, knock-in or screw-on options for hinge boss assembly
- Existing mounting
- Our CLIP mechanism has proven itself a million times over worldwide. Now we have re-engineered the CLIP top 155° to include a new closing mechanism, in combination with a new clip-on BLUMOTION 973A7000. The result: A 155° hinge that provides complete functionality & satisfaction.

CLIP top 155° is ideal for special applications such as mitred.

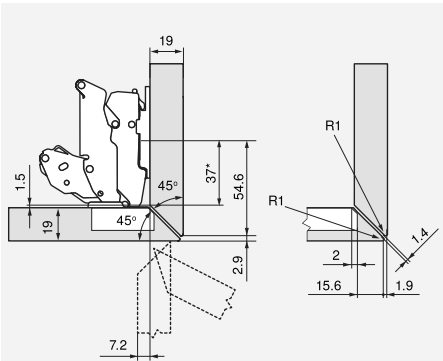
Types of mitred applications



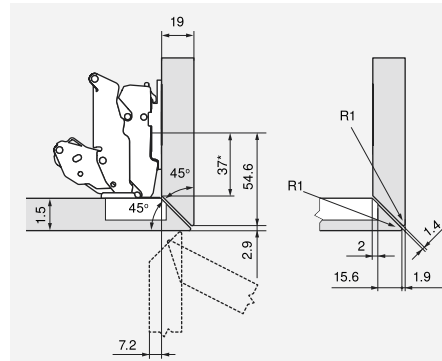
Fully surrounded (four-sided) mitred applications



Lateral (two-sided) mitred applications

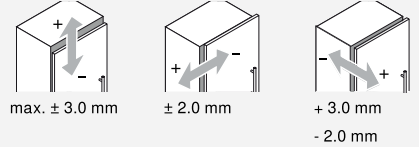


Hinge	71T7600N
Mounting plate	0 mm
Opening angle stop	-

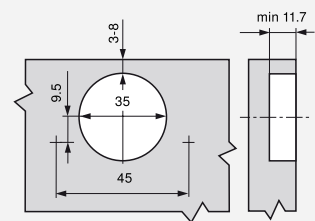


Hinge	71T7600N
Mounting plate	0 mm
Opening angle stop	-

Adjustment





Screw-on



* Dimension for mounting plate with dimension A = 37 mm

Order specification

		0-Protrusion hinge 155° opening angle			
		Article No.	Description	Material	Price/piece*
		71T7500N	CLIP top with spring	Steel	RPNA*
		BLUMOTION in combination with hinges with spring			
		Article No.	Description	Application	Price/piece
		973A7000	For CLIP top 155°	Clip onto hinge	RPNA*
		Cruciform mounting plates (0 mm spacing)			
		Article No.	Description	Application	Price/piece
		173H7100	With height adjustment (for CLIP top)	Screw-on	RPNA*
		173L6100	Without height adjustment (for CLIP)	Screw-on	RPNA*

RPNA* - Retail Prices Not Available for your country